

Shelbourne
REYNOLDS

MANURE SPREADER



POWERSPREAD DAIRY

SHELBOURNE.COM





• Standard: 23.1 - 26 16ply standard tyres



• Discharge rotor with reversible wear plates



• New updated chain drive system with 16mm shearbolt



• Anti-bridge arm

- LOW HORSEPOWER REQUIREMENT
- EVEN AND ACCURATE SPREAD PATTERN WITH SPREAD WIDTH OF UP TO 18 METRES
- WILL SPREAD BOTH SLURRY AND FARMYARD MANURE
- FAST AND EFFICIENT WORK RATES ACHIEVED BY PATENTED CENTRALLY OPENING DOOR AND OVERSHOT IMPELLER
- VERTICALLY OPENING SEALED DOOR ALLOWS THE FULL WIDTH OF THE IMPELLER TO BE USED WHEN APPLYING A FINE COVERING OF MANURE

- STRONG AND RELIABLE - 8MM THICK FLOOR
- EVEN WEIGHT DISTRIBUTION AND GOOD STABILITY PROVIDED BY TAPERED BODY DESIGN AND LOW CENTRAL AUGER
- SOLID AXLE
- EASY TO MAINTAIN HEAVY DUTY CHAIN & SPROCKET
- SEPARATE SHEAR BOLT PROTECTION FOR MAIN AUGER AND IMPELLER
- ROAD LEGAL LIGHTING KIT AND HYDRAULIC BRAKES FITTED AS STANDARD

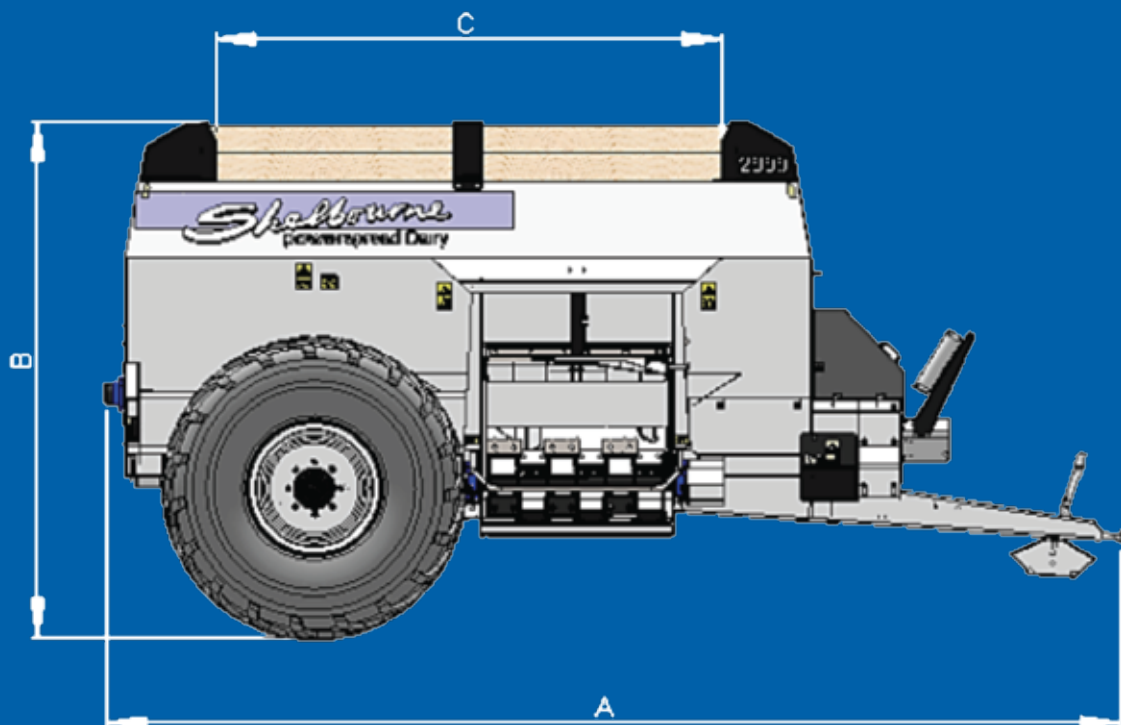
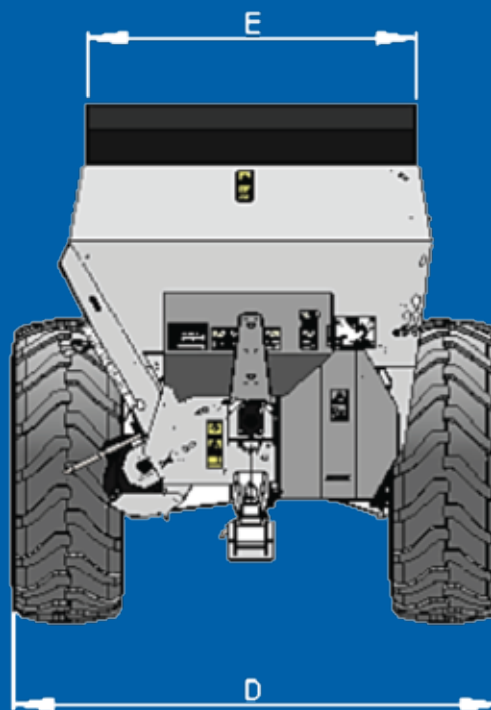
Shelbourne

POWERSPREAD DAIRY TECHNICAL DATA

FIND US:



MODEL	1600	2000
CAPACITY	7250 LITRES 1600 GALLONS	9000 LITRES 2000 GALLONS
VOLUME	7.25m ³	9m ³
LENGTH (A)	5.41m 17'9"	5.41m 17'9"
LOADING HEIGHT (B)	2.4m 7'11"	2.7m 8'10"
OPENING LENGTH (C)	2.84m 9'4"	2.68m 8'10"
WIDTH (D)	2.6m 8'6"	2.6m 8'6"
OPENING WIDTH (E)	1.55m 5'1"	1.55m 5'1"
UNLADED WEIGHT	2900kg	3000kg
GROSS WEIGHT	9600kg	9700kg
STANDARD WHEEL & TYRE	23.1-26 16PR	23.1-26 16PR



**SHELBOURNE REYNOLDS
ENGINEERING LTD.**

SHEPHERDS GROVE, STANTON, BURY ST EDMUNDS,
SUFFOLK, IP31 2AR T: 01359 250415 F: 01359 250464
SHELBOURNE.COM