

Hakki Pilke 2X Carry

SPARE PARTS MANUAL FOR LOG SPLITTER



MAASELÄN KONE OY

Valimotie 1, FI-85800 Haapajärvi, Finland

Tel. +358 (0)8 7727300, Fax +358 (0)8 7727320

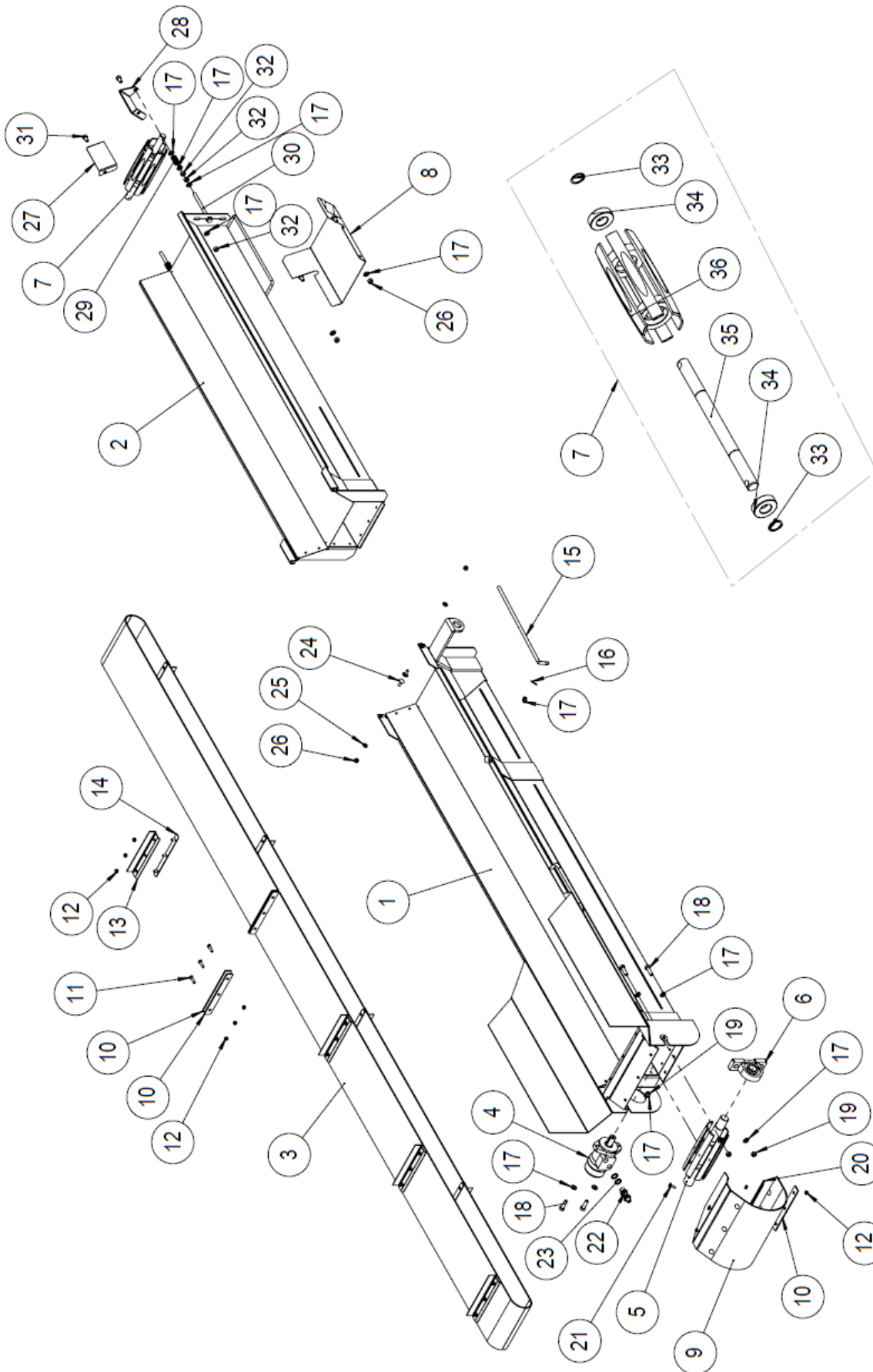
info@maaselankone.fi

www.maaselankone.fi

Table of contents:

1.1	Exploded view of the output conveyor (10830).....	4
1.2	Spare parts list for the conveyor (10830).....	5
1.3	Frame.....	6
1.4	Power transmission	7
1.5	Cutting unit	8
1.6	Log holder	9
1.7	Log holder extension (10159).....	10
1.8	Spare parts list (heading 1.3).....	11

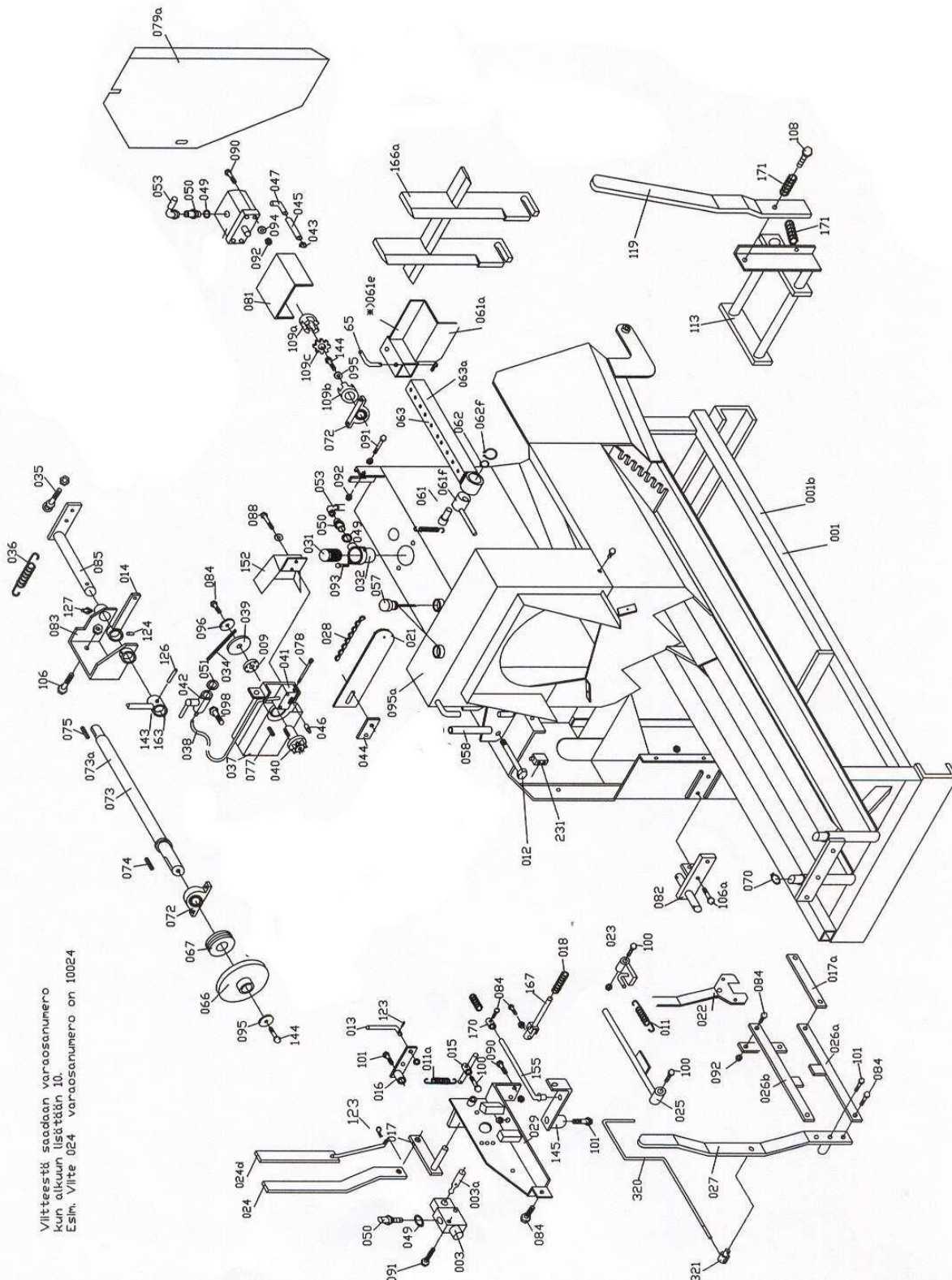
1.1 Exploded view of the output conveyor (10830)



1.2 Spare parts list for the conveyor (10830)

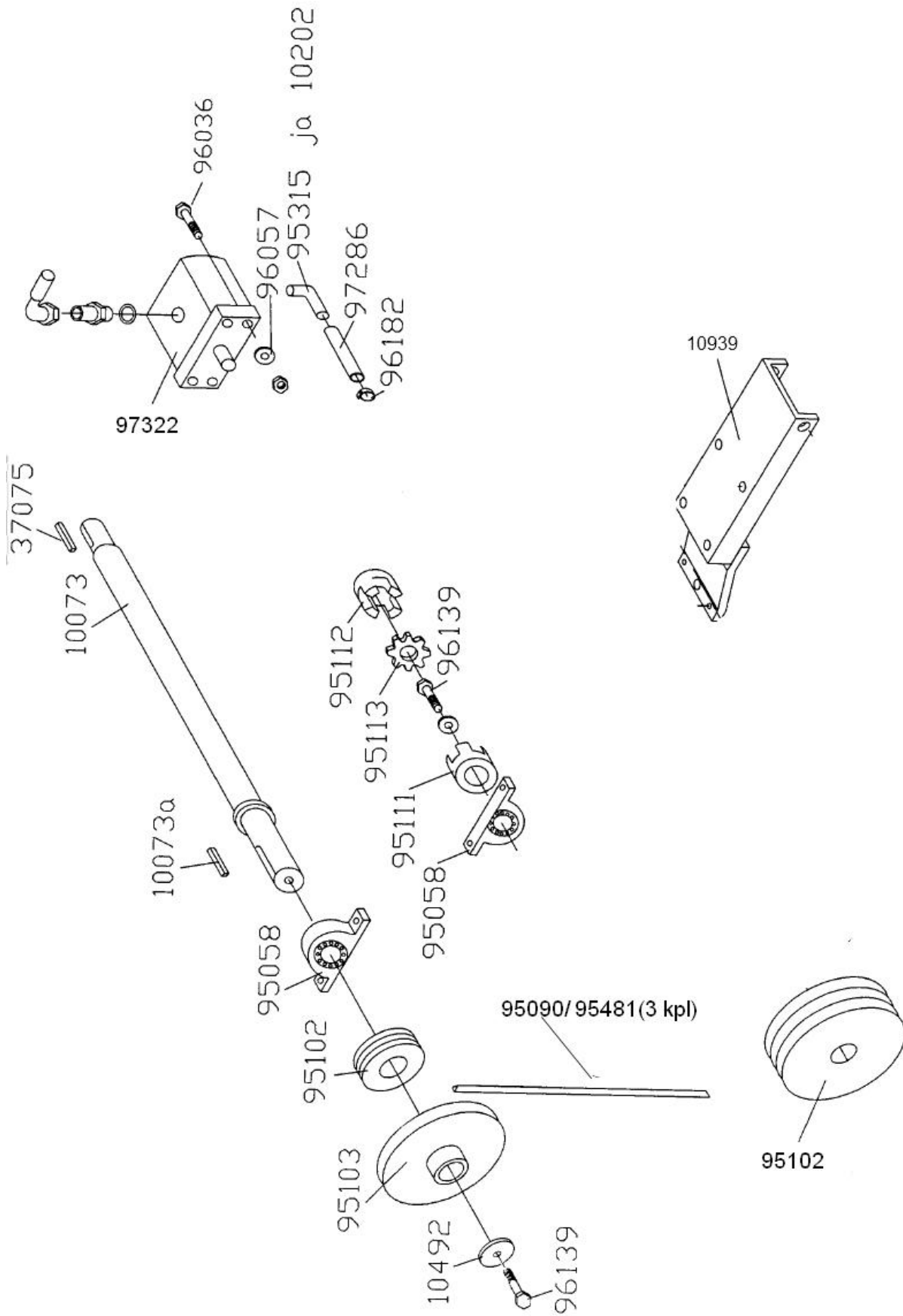
No.	Number and name of item	Pcs
1	10833 Lower frame of the conveyor	1
2	10316 Upper frame of the conveyor	1
3	10317 Conveyor belt, complete	1
4	97334 Hydraulic motor OMP-50	1
5	10817 Drive roller for the output conveyor	1
6	95058 Bearing unit UCP 207	1
7	10132 Upper roller for the conveyor	1
8	10134 Guard for the upper end of the conveyor	1
9	61162 Lower protective belt for the conveyor	1
10	10136 Connection rod for the belt	3
11	96131 Hex screw M8x30	3
12	96222 Locking nut M8	36
13	10135 Conveyor plate	8
14	10851 Conveyor fastening	8
15	10819 Conveyor belt holder	1
16	96246 Cotter pin 3.2x32	1
17	96058 Washer A12	23
18	96148 Hex screw M12x40	4
19	96218 Locking nut M12	6
20	61172 Fastening rod for the conveyor's rubber baffle	2
21	96191 Locking screw M8x25	9
22	97203 Double nipple, straight	2
23	97213 USIT	2
24	96186 Locking screw M10x25	2
25	96049 Washer A10	2
26	96068 Locking nut M10	2
27	10313 Left side plate for the upper end of the conveyor	1
28	10137 Right side plate for the upper end of the conveyor	1
29	95014 Pressure spring	2
30	96143 Hex screw M12x150	2
31	96144 Hex screw M12x20	4
32	96200 Hex nut M12	6
33	96042 Retaining ring	2
34	95050 Bearing 6205	2
35	10132b Shaft for the conveyor's upper roller	1
36	10142 Upper roller for the conveyor	1

1.3 Frame

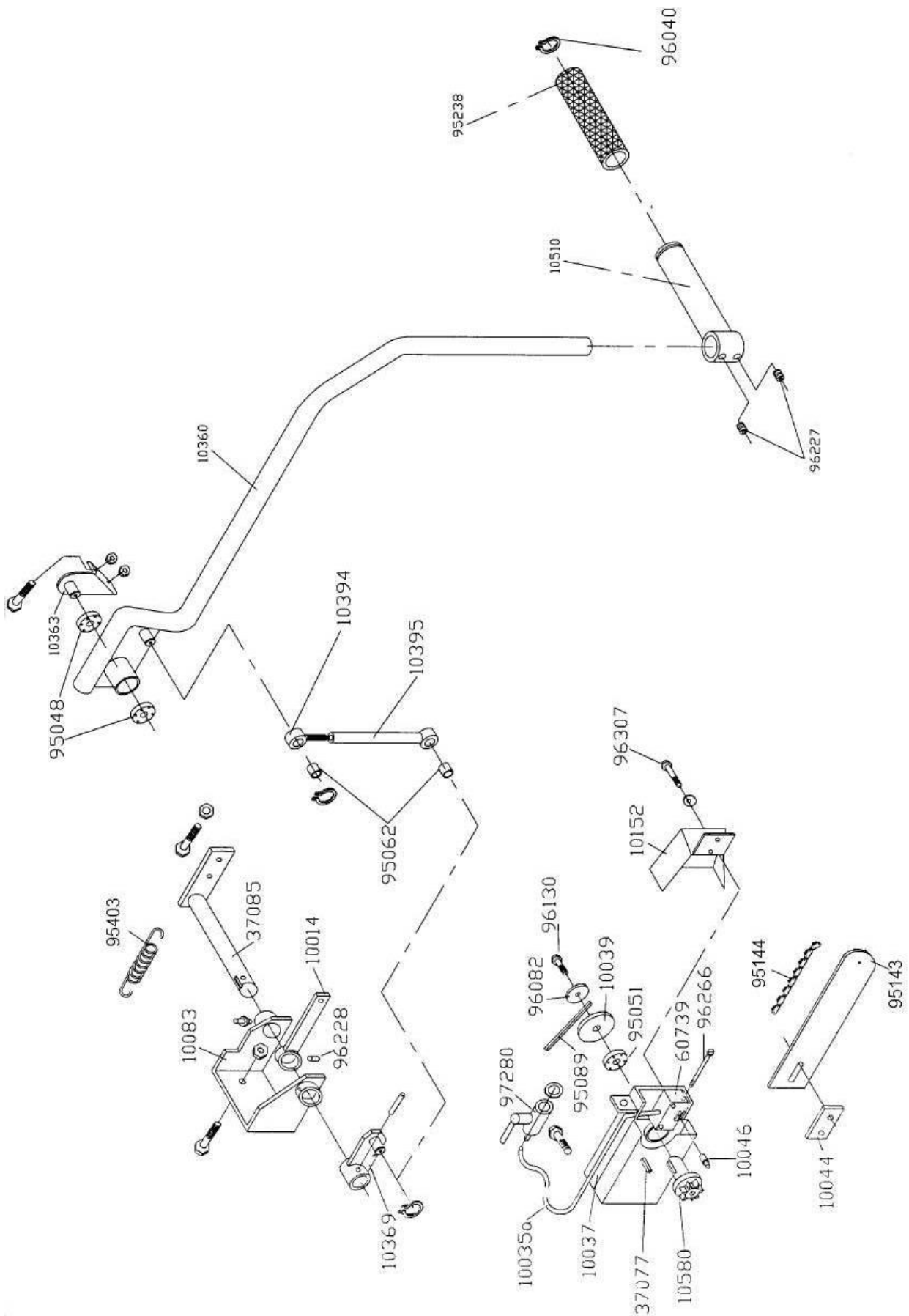


Viitteestä saadaan varaosunumero
kun oikeun lisätään 10.
Esim. Viite 024 varaosunumero on 10024

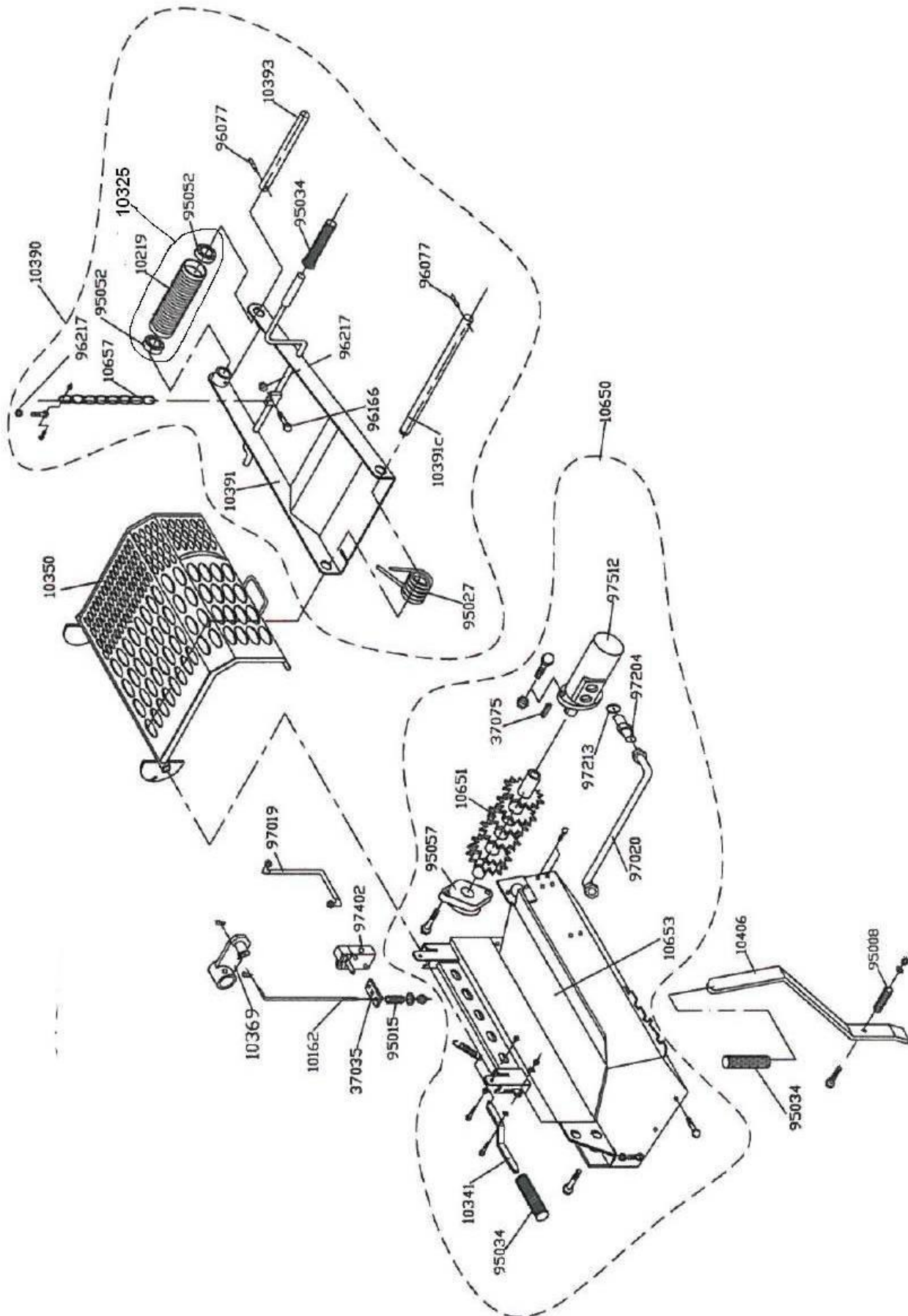
1.4 Power transmission



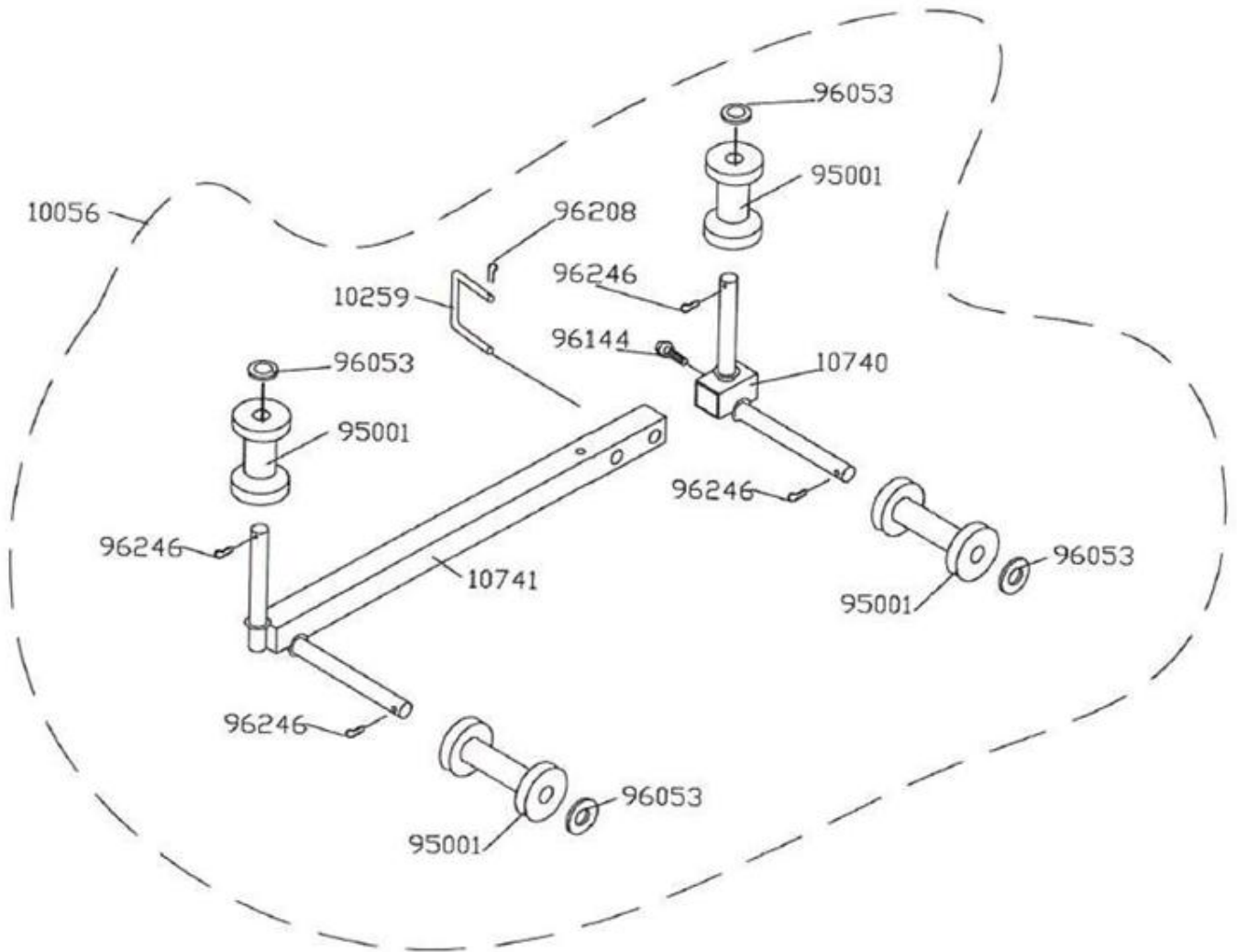
1.5 Cutting unit



1.6 Log holder



1.7 Log holder extension (10159)



1.8 Spare parts list (heading 1.3)

New number	Old number	Item
97401	10003	Valve SD4/1 neg shaft
97354	10003a	Ball joint of valve
10004	10004	Top cover
10350	10004b	Top cover
97320	10005	Hydr.pump 16
10006a	10006a	Slide left
10006b	10006b	Slide right
10007	10007	Attachment plate of chain
95071	10008	Roller chain 1"47 links
95051	10009	Bearing 6205RS
10010	10010a	Slide bracket
10008	10010b	Slide bracket
95013	10011	Draw spring 0.9x9.8x100
95012	10011a	Draw spring 0.9x9.8x40
96106	10012	Hexagonal nut M12x180
10013	10013	Intermediate rod
10014	10014	Release rod
10015	10015	Release lifter
10016	10016	Release lever
	10017	Stop lever
	10017a	Middle plate
95018	10018	Compression spring 2x22x140
	10019	Stop lever plate
95055	10020	Bearing 6207RS
95143	10021	Saw bar 13"
10022	10022	Return lever
10023	10023	Release bar
	10024	Middle rod
10024n	10024d	Middle bar (el)
10025	10025	Release bar
10026a	10026a	Stop lever plate
10026b	10026b	Stop lever plate
10405	10027	Stop lever
95146		Saw chain 0.325"64vl.
95144	10028	Saw chain 0.325"56vl.
10029	10029	Frame of valve
10030	10030	Valve cover
10030b	10030b	Valve cover
97290	10031	Filter cartridge CR50
97291	10032	Filter FIO 50/3
95089		V-belt XPA 850
96255	10035	Spring tensioner
95023	10036	Draw spring 3.5x30x180
10038	10037	Saw bar bracket
97284	97284	Hose inside diam. 8mm
10040	10040	Drive shaft of saw chain
10041	10041	Attachment plate of saw bar
96182	10043	Hose tightener 35
10044	10044	Attachment plate of saw bar

97286	10045	Suction hose, inner diam.25
10046	10046	Saw bar attachment pin
97432	10047	Angular fitting 90 3/4"
10048	10048	Feeding table
10052	10048a	Feed table
97213	10049	Usit seal 1/2"
97204	10050	Double nipple 1/2"
97212	10051	Usit seal 3/8"
97256	10052	Breather 3/8"
97016	10053	Hose 1/2" 1,75m
97012	10054	Hose 1/2" 0.8m
97015	10054a	Hose 1/2" 0.90m
97014	10055	Hose 1/2" 0.65
10056	10056	Rod of extension roller
97429	10057	Filling cap 1 1/2"
97283	10058	Plastic hose, inside diam.8mm
95001		Roller 185mm
96176	10060	Hose bracket 8-14
10061a	10061a	Tube of wood length limiter
95028	10061b	Spring
10203	10061f	Eccentric lever
96042	10062	Lock ring A25
96045	10062b	Lock ring A35
10063c	10063	Tube of wood length limiter
10062		Wood length limiter complete
10065	10065	Lock screw
95103	10066	Drive pulley 1A180/35
95102	10067	Drive pulley 3A90/35
95100	10068	Drive pulley 3A180/25
96044	10070	Lock ring A30
95083	10071	V-belt A94
95058	10072	Bearing UCP207
10074	10074	Key 7x8x75
10075	10075	Key 7x8x30
10077	10077	Key 7x8x15
96119	10078	Slot headed screw M6x50
96160	10079	Hexagonal screw M8x12
10080	10080	Cover
10082	10082	Draw pin
10083	10083	Saw bar plate
96130	10084	Hexagonal screw M8x20 10.9
10085	10085	Shaft of saw bar
95181	10086a	Chain sprocket 1" Z21
10086	10087	Shaft casing
96307	10088	Hexagonal screw M8x55 10.9
10089	10089	Fastening plate of idler pulley
96126	10091	Hexagonal screw M8x60
96205	10092	Hexagonal nut M8
96158	10093	Hexagonal screw M6x20
96057	10094	Washer M8
96140	10098	Hexagonal screw M10x30
10098c	10098c	Support bar of elevated tank
95110	10099	Drive pulley 1A180/28
96098	10100	Hexagonal screw M10x40

96099	10101	Hexagonal screw M10x50
95104	10105	Drive pulley diam.80/6-u
96147	10106	Hexagonal screw M12x35
96152	10106a	Hexagonal screw M14x35
96149	10107	Hexagonal screw M12x45
96110	10108	Hexagonal screw M12x70
95112	10109a	Coupling half
95111	10109b	Coupling half
95113	10109c	Coupling rubber
96151	10110	Hexagonal screw M12x80 full threaded
96218	10111	Hexagonal nut M12 nyloc
96050	10112	Washer M12
10113	10113	Adjustment levers of blade
96200	10114	Hexagonal nut M12
96142	10115	Hexagonal screw M12x120
95126	10116	Belt 240x8130
96187	10118	Locking screw M8x20
10119	10119	Blade adjustment lever
96053	10120	Washer M20
10121	10121	Rack of angular gear/cast iron
96246	10122	Split cotter 3.2x32
96244	10123	Split cotter 2.5x20
96228	10124	Stop screw M8x8
10125	10125	Lower part / conveyor frame
10126	10126	Upper part / conveyor frame
96276	10127	Grease nipple M8x1
10132a	10132a	Top roller 100x240
10132b	10132b	Shaft of upper roller
10133	10133	Drive roller diam.100
10131	10134a	
10137	10134b	
10134	10134c	Upper cover of conveyor
10135	10135	Scraper of conveyor
10136	10136	Jointing plate of belt
10139	10139	Cylinder pin
10369	10143	Arm of saw (old= 37143)
96161	10144	Hexagonal screw M10x20
10145	10145	Valve lever
10149a	10149a	Tension wheel
10149b	10149b	Rod of tension wheel
95016	10149c	Draw spring 2x20x100
95048	10149d	Bearing 6203 2RS
10150	10150	Saw dust guide
10152	10152	Belt cover
10155	10155	Control rod of valve
10158	10158	Drive roller of feed conveyor
10159	10159	Pipe of extension roller for feed conveyorök.
10262	10159b	Table support
10259	10159c	Lock pin
10160b	10160	Shaft diam.25
10160a	10160a	Roller
10164	10164c	Cylinder 63/45-710
10165	10165	Shaft of angular gear
10167	10167	Joint lever

95015	10171	Compression spring 2.5x20x38
95014	10171a	Compression spring 3.5x22x38
96109	10185	Hexagonal screw M12x60
10187	2X10187	Motor starter casing
95057	10190	Bearing UCFL205
97019	10192	Hose 1/2" 0.75m
97020	10193	Hose 1/2" 0.8m
97309	10194	Hydraulic motor OMP400
97402	10195	Valve SD4/1 neg k.j.
95069	10212	Winch
95068	10212a	Winch line 3m with hook
10219	10219	Roller
10225	10225	Belt holder
10229	10229	Locking peg of conveyor
95011	10229a	Draw spring 2x15x150
10069e	10230	
10585		Autom.lubrication mounting set
97438	10231	Lubrication valve
10320	10320	Locking bar of blade
10321	10321	Fastening of locking bar
10579	10079b	Cover plate of pump
10080	10080h	Cover plate of oil tank
10223	10223	Adjustment lever of splitting blade
95017	10223a	Compression spring D5X26X130
10224	10224	Cylinder bracket
10234	10234	Rack of 4-block valve
10235b	10235	Cover of 4-block valve
10236	10236	Cylinder fastening
10237	10237	Cylinder fastening
10247a	2X10247a	Stopper of blade
97280		Needle valve for blade chain lubrication