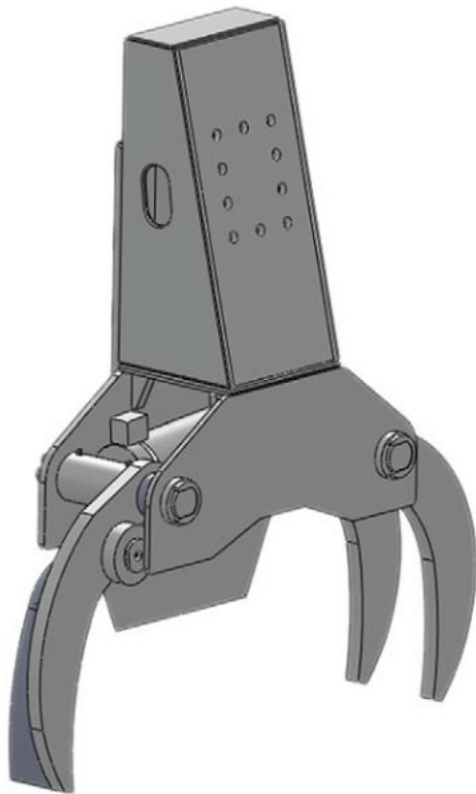
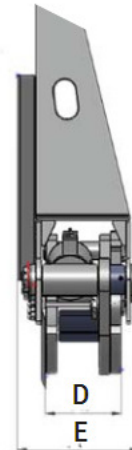
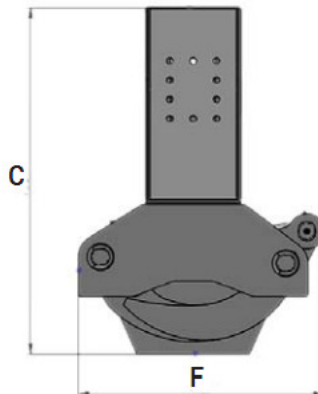
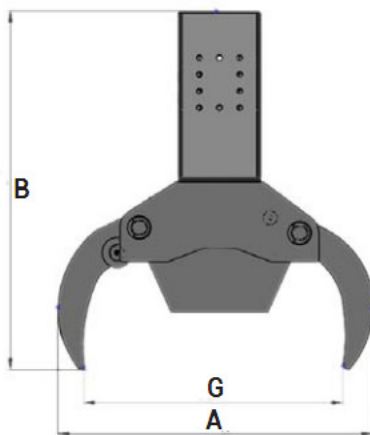


TIGERGRIP | TIGER CUT 200e



KEY FEATURES

- Heavy duty
- Double guide bars
- High tensile wear resistant steel (400 HB)
- Extra reinforced body for rigid mounting - excavator design



A	1140
B	1295
C	1086
D	243
E	390
F	770
G	937

MODEL SPECIFICATIONS



TIGER CUT 200e	235	250	50	53	8
----------------	-----	-----	----	----	---

INTERMERCATO

High performance lift and load attachments for Forestry, Transport, Construction and Recycling.

