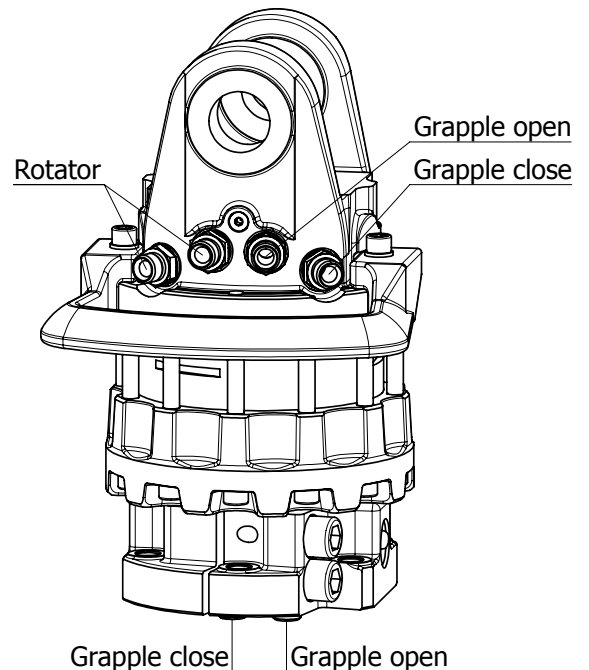
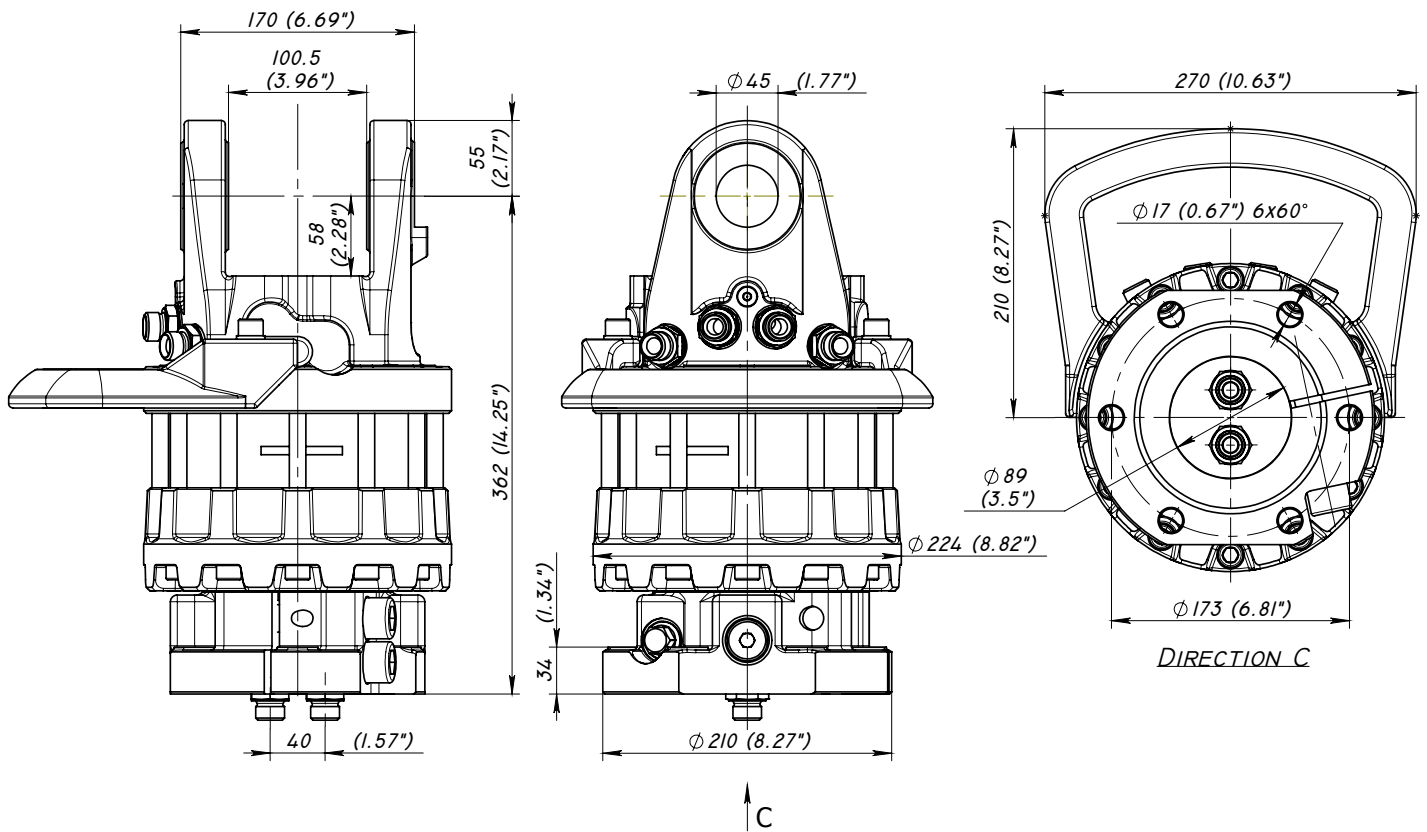


ROTATOR GR 12 S



Technical data

Rotation	Unlimited
Max axial load static, KN (lbf)	+120 (26982) - 90 (20236)
Max axial load dynamic, KN (lbf)	+60 (13491) - 45 (10118)
Torque at 25Mpa (3625psi), Nm (lb ft)	2900 (2139)
Rec oilflow, l/min (US gallon)	35 (9.25)
Weight, kg (lb)	70 (154)

Max working pressure:

Rotator	←R→	Max 25 MPa (3625 psi)
Grapple / Tool open	←G→	Max 30 MPa (4350 psi)
Grapple / Tool close	→G←	Max 30 MPa (4350 psi)

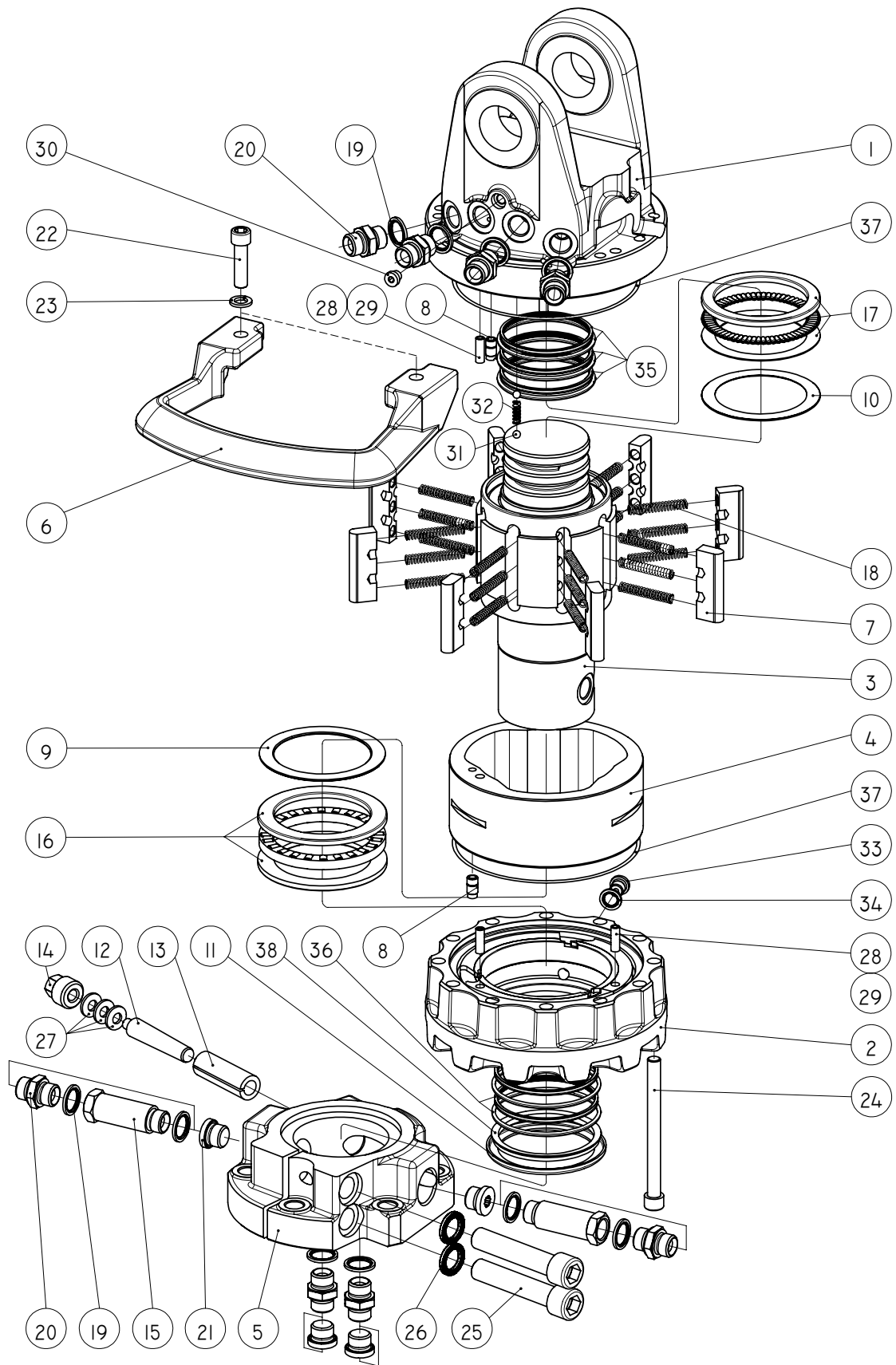
Connection:

G 1/2"
G 1/2"
G 1/2"

2007.12.11.

ROTATOR GR 12 S

List of parts



2007.12.11.

ROTATOR GR 12 S

List of parts

Pos.	Part	Title	Quantity	Notes
1	GR 12 S.01-03	Stator plate, upper	1	
2	GR 12 S.02-02	Stator plate, lower	1	
3	GR 12 S.006-05	Rotator shaft	1	
4	GR 12 S.007-02	Stator frame	1	
5	GR 12 S.010	Link, lower	1	
6	GR 16 S.03	Hose guard	1	
7	MTR 104.008	Vane	8	
8	GR 12.022	Restrictor	2	
9	GR 16.020	Shim	1	
10	HR 10 S.020	Shim	1	
11	GR 16.021	Washer	1	
12	GR 16.011	Wedge	1	
13	GR 16.012	Bung	1	
14	MTR 100.013-01	Locking screw	1	
15	MT 0219	Nipple	2	
16	81118	Axial roller bearing	1	
17	AXK 85110	Axial needle bearing	1	
18	MTR 100.009-01	Spring	24	
19	GB - 8 Tredo	Bonded seal	8	
20	0101-8	Nipple	6	
21	VSTI R1/2 - ED	Plug	2	
22	MC6S 12.9 M12x45 DIN 912	Screw	2	
23	DIN 127 B D12	Spring washer	2	
24	MC6S 12.9 M12x140 DIN 912	Screw	1	
25	MC6S 12.9 M20x100 DIN 912	Screw	2	
26	NL 20	Washer	2	
27	SB - M10 (4673)	Cup spring	3	
28	5x24 DIN-1481	Pin	4	
29	8x24 DIN-1481	Pin	4	
30	VSTI R1/8 - ED	Plug	1	
31	RB-7	Ball	2	
32	SF-TF (1246)	Spring	1	
33	MU	Magnetic plug	1	
34	GB - 4 Tredo	Bonded seal	1	
35	GHH/R 80/91x4.2	Glide ring	3	
36	GHH/R 90/101x4.2	Glide ring	2	
37	OR 170.00x2.50	O - ring	2	
38	VA - 90	V - seal	1	

2007.12.11.