

**FARMI**<sup>®</sup>  
Made in Finland  
*Forest*

Forest-line

*Profitable choice - since 1962*

**RELIABLE  
SKIDDING WINCH ENGINEERING  
WITH OVER 45-YEARS EXPERIENCE**



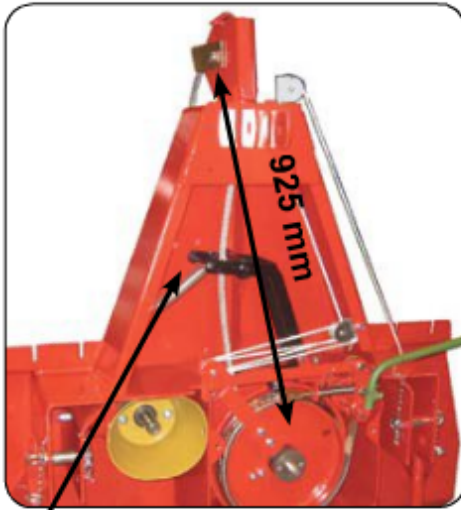
**Electrohydraulic operation HOF  
as an accessory**



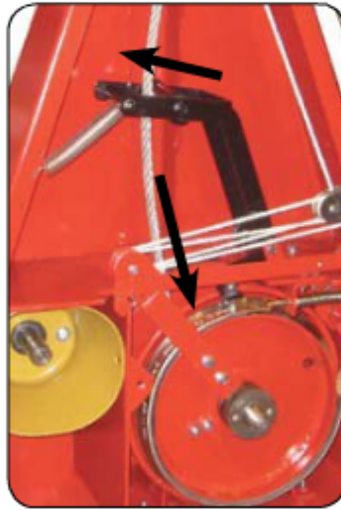
**JL60**

**JL50**

**SKIDDING WINCHES**



**Distance and angle** between the upper pulley and the winding drum is very important for consistent and reliable cable winding.



**The automatic drum coast brake** guarantees that the cable can be easily extracted. In the case of abrupt stops, immediate brake action hinders drumcoasting.

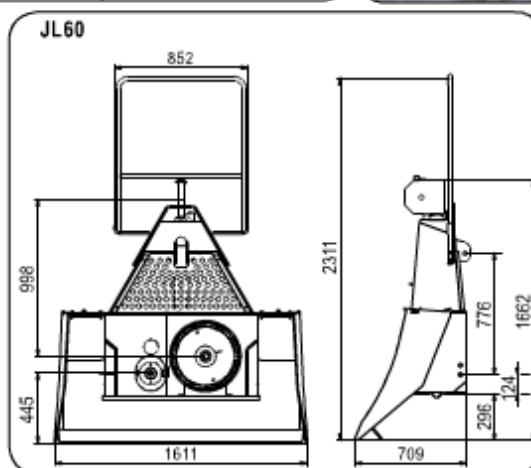
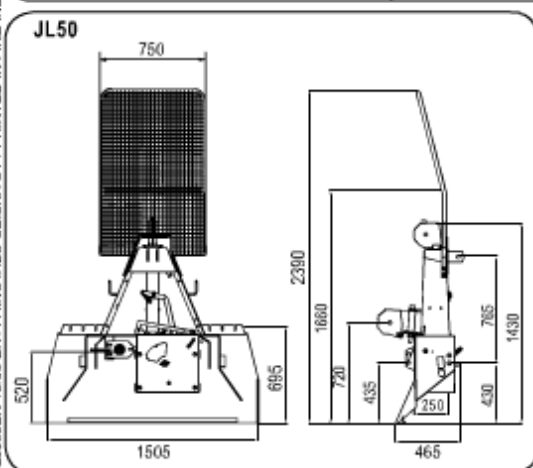
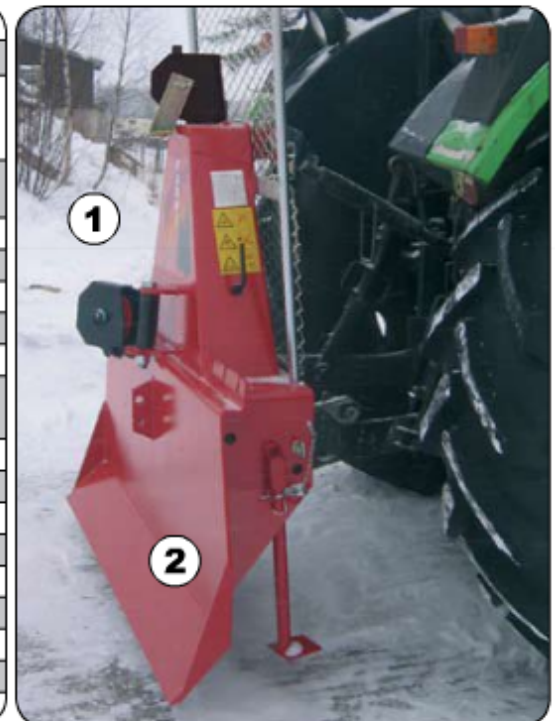
### Operation and function

- Convenient clutch operation
- Easy cable extraction with idle drum
- Cable winding device for tight winding (protects cable)
- Smooth, controlled load release with safety brake
- Drum coast brake (hinders drum coasting and protects the cable)
- Hydraulic or remote control (can be retrofitted)

### Performance

- High pulling force with all lengths of cable (even with full drum)
- High cable capacity
- Low weight
- Tight fit to tractor
- High and low feed-in
- Well-designed, durable butt plate (thickness 8 mm) for reversing and banking

TECHNICAL INFORMATION	JL50	JL60
Pulling force	5 ton	6 ton
Cable capacity	ø 10 mm 80 m ø 11 mm 70 m ø 12 mm 60 m	130 m 115 m 100 m
Feed-in speed	350 rpm 0.30 - 0.90 m/s 540 rpm 0.50 - 1.40 m/s	0,36 - 0,82 m/s 0,56 - 1,26 m/s
Clutch	Friction disc	Friction disc
Req. power	min. 35 kW (50 hp)	min. 45 kW (60 hp)
Power transmission	Power take-off (tractor)	Power take-off (tractor)
Weight (without cable)	277 kg	475 kg
Three-point mount	Cat. II	Cat. II
Distance between upper pulley and drum	925 mm	1000 mm
PTO height	520 mm	445 mm
Chain catch and holder stow box	Yes	Yes
Lower return pulley d=180 mm	Yes, height-adjustable	Yes
Dead man's brake	Yes	Yes
Safety guard	Yes	Yes
Drum coast brake	Yes	Yes
Cable guiding wheel	Option	Option
Electrohydraulic operation	Option	Option
Remote control	Option	Option



We reserve the right to make changes.

**Davies**  
Implements Limited

Blaenteg,  
Trevaughan,  
Carmarthen,  
SA31 3QN.

Tel.: 01267 237726

www.daviesimplementsltd.co.uk  
sales@daviesimplements.co.uk